

# GARAGE SECTIONAL & ROLLER DOOR OPENERS



GARAGE ROLLER DOOR  
OPENER - RDO30



SECTIONAL GARAGE  
DOOR OPENER E-SERIES



# GARAGE ROLLER DOOR OPENER RDO30



### Standard Kit Including:

- Motor x 1pc
- Transmitter x 2pcs
- U-clamp x 1 kit
- Extended Fork x 2pcs
- Extended Release Arm x 1pc
- Certification Card x 1pc
- Manual x 1pc
- Weight Bars x 2pcs

The RDO30 one piece roller door opener was designed with ease of use and reliability in mind, starting with its engineering and safety features down to the sleek profile design. Security is taken care of by a rolling code technology remote handset that changes with every press of the button. This makes the RDO-30 Roller Door Opener the right choice when choosing your new rolling door openers.

### Key Features RDO30

- Powerful and quiet DC motor, quick installation
- Push button internal operation
- Automatic safety reverse
- Auto close function (optional)
- Electronic limit switch
- Manual release in case of power failure
- Courtesy LED light automatically luminates
- Soft Start - Soft Stop
- Photocell function (optional)
- Metal structure - stronger than plastic



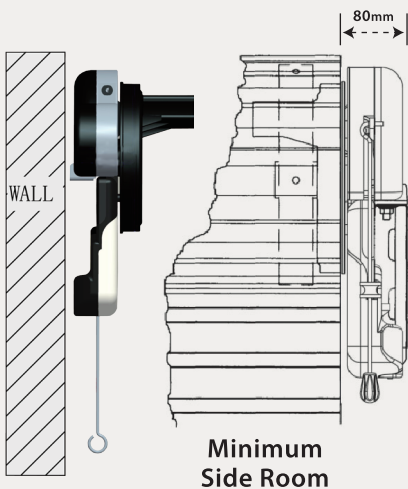
### Technical Details

- Input Voltage
- Motor Type
- Operating Speed
- Maximum Door Size
- Reel Diameter
- Courtesy Light
- Transmitter/Receiver Frequency
- Transmitter Style
- Force Sensing

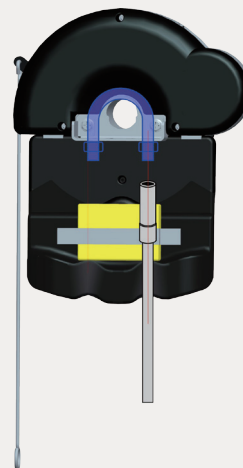
### RDO30

- 200-240VAC 50Hz
- 24V DC
- 15cm/S
- 15m<sup>2</sup>
- 270mm
- L.E.D.
- 433.92MHz Rolling Code
- 4 Channel
- Yes (reverse on obstacle)

## ADVANCED TECHNOLOGY



- Minimum side room required: **80mm**
- An effective solution for any low side room, it only needs 80mm from the edge of the curtain to wall.



- Access for socket to tighten "U" clamp.
- The clamp nuts can be tightened after the motor has been fixed. This smart bottom design is a better choice for any installer.



## SECTIONAL GARAGE DOOR OPENER E-SERIES

### DESIGN FEATURES

- Metal base for added strength and durability with galvanised steel plate of 2mm thickness.
- Open/Stop/Close external button providing easy operation in case of lost remote/transmitter.
- LED light provides maximum lumination, longevity and low energy consumption.
- Internal fuse provides additional safety to the garage door opener.

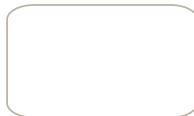
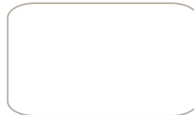
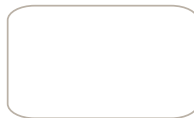


## SECTIONAL GARAGE DOOR OPENER E-SERIES

### TECHNICAL SPECIFICATIONS

#### Key Features ET-1000E

- Auto Close Function (optional)
- Electronic Limit Switches
- Automatic Safety Reverse
- 3 Minute Light Delay
- Manual Release In Case Of Power Failure
- Courtesy LED Light Automatically Luminates
- Remote Control
- Transmitter x 2pcs
- Photocell Safety (optional)
- Wall Switch (optional)
- Soft Start - Soft Stop

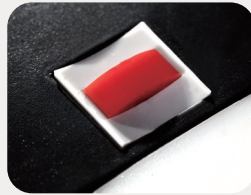


#### Technical Details

- Lifting Power
- Motor
- Input Voltage
- Force Sensing
- Soft-Start/Soft-Stop
- Rail Type
- Drive
- Transmitter/Receiver Frequency
- Transmitter Style
- Protection
- Maximum Door Size

#### ET-1000E

- 1000N
- 24V DC
- 200~240V AC 50~50Hz
- Yes (reverse on obstacle)
- Yes
- Steel (various options available)
- Chain
- 433.92MHz Rolling Code
- 4 Channel
- 3 Amp Internal Fuse
- 12m<sup>2</sup>



ETDOOR Garage Door Opener provides a broad selection in performance, features, reliability and durability. All of our models provide the ultimate in convenience, security and safety.



## RDO30 GARAGE ROLLER DOOR OPENER

## SECTIONAL GARAGE DOOR OPENER E-SERIES

SECTIONAL TRACK



WIRELESS KEYPAD



## ACCESSORIES

REMOTE CONTROL



RELEASE LOCK FOR GDO



ETDOOR Garage Door Opener provides a broad selection in performance, features, reliability and durability. All of our models provide the ultimate in convenience security and safety.



WIRELESS KEYPAD

AUTHORISED DISTRIBUTOR



IRL: +353 (0)7493 29843  
UK: +44 (0)121 314 9552  
E: sales@d4products.com  
W: www.d4products.com